

## TECHNICAL SPECIFICATION

### LED Downlights QDL2COB



#### Technical data

- Power: 30W; 40W
- Colour temperature: 4000-4300K
- Rated voltage: 230V / 50/60Hz
- Lumens /whole fixture/:
  - 30W – 2400lm
  - 40W – 3200lm
- Power Supply: control gear, DC device – driver, included in the set
- LED type: COB
- Light source: Epistar Taiwan
- Colour rendering index: Ra≥80
- Switch on/off > 20000
- Protection against dust and moisture: IP40
- Housing: aluminum
- Colour of the housing: white
- Long life: 30000 hours
- Diffuser: glass
- Beam angle: 120°
- Power factor:  $\lambda > 0.9$

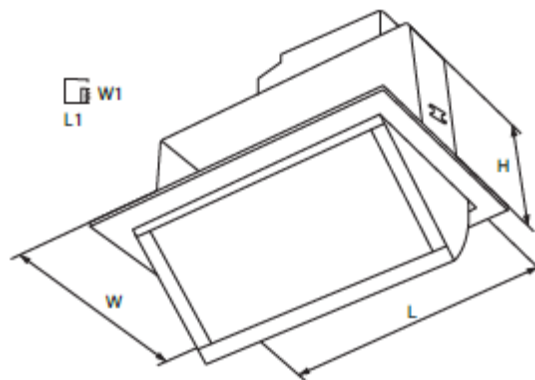
## Areas of application

- Commercial buildings
- Administrative buildings
- Residential buildings
- Banks
- Hospitals
- Schools
- Entertainment and leisure spots

## Product benefits

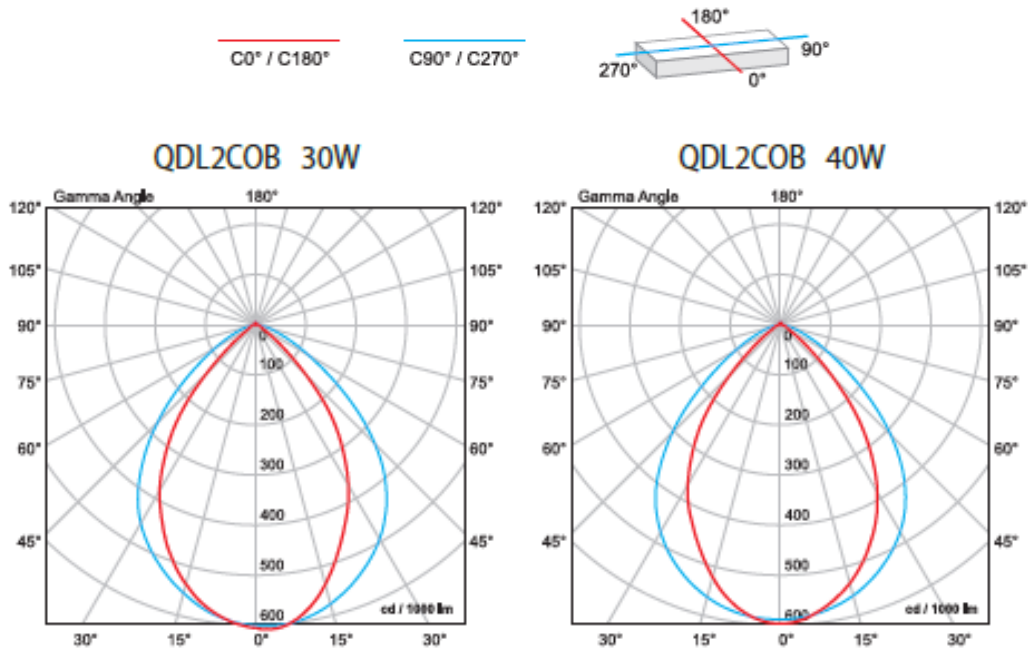
- Completely replace traditional lighting fixtures
- Pleasant and uniform light distribution
- Low power consumption
- Repeated switch on/off does not affect the lifespan
- Instant light with maximum luminous flux
- Environmentally friendly - no mercury and lead
- No ultraviolet and infrared rays
- Resistant to shock and vibration-free body
- Low heat emission

## Variants and dimensions




Watt	LED chip lumens (lm)	Whole fixture lumens (lm)	Colour temp. (K)	Colour body	Size					Catalogue number	Packing (pcs)
					L	W	H	L1	W1		
30W	3600	2400	4000-4300K	white	230	145	140	220	135	92QDL123040	6
40W	4800	3200	4000-4300K	white	230	145	140	220	135	92QDL124040	6


## Luminous distribution curves




## Energy efficiency




This lighting fixture contains built in led lamps from energy classes.



L  
E  
D



The lamps in the lighting fixture cannot be changed.



92QDL123040

874/2012

## Barcodes

Barcode	Catalogue number
3800131186775	92QDL123040
3800131186782	92QDL124040

## Standards

EN 55015

EN 61000-3-2; EN 61000-3-3

EN 61547

EN 60598-1; EN 60598-2-2

